



## FEATURES

- Easy interface & factory pre-configured
- Programmable control inputs and outputs
- Approvals for use in hazardous areas

## BENEFITS

- ▶ Works out of the box, reduce installation cost
- ▶ Transmits flow rate, total, density or temperature
- ▶ Certified for use in nearly all plant environments

## SPECIFICATIONS

Display:	back-lit LCD screen 132 x 32 dot Programmed via front keyboard or TRICOR configurator (Modbus)
Supply Voltage:	24 V DC or 100 ... 240 V AC (version dependent)
Power Consumption:	4 W (DC), max. 11 W (AC)
Reverse Polarity Protection:	yes
Galvanic Isolation:	2,500 V AC
Interfaces:	RS485 (Modbus RTU), HART® Foundation Fieldbus®
Cable Glands:	Suitable for 7 - 13 mm cables Material: Brass/Ni plated (option: 1.4404 [AISI 316]) Thread: 2 x ½" NPT or 2 x M20 x 1.5
Housing Material:	Aluminum option: 1.4404 [AISI 316L]
Protection Class:	IP65 (IP66/IP67 on request)

## ANALOG OUTPUT

Current Outputs (2x):	4 ... 20 mA passive
Output Value (programmable):	flow, total mass, total volume, density, temperature

## PULSE OUTPUT

Frequency Range:	0.5 - 10,000 Hz
Output Signal:	active push-pull output for flow rate

## STATUS IN- AND OUTPUT

Status Output:	push pull programmable in TOTAL mode: 0.5 - 100 Hz in FREQUENCY mode: 0.5 - 10,000 Hz
Control Input:	programmable

## ANALOG INPUT (OPTION):

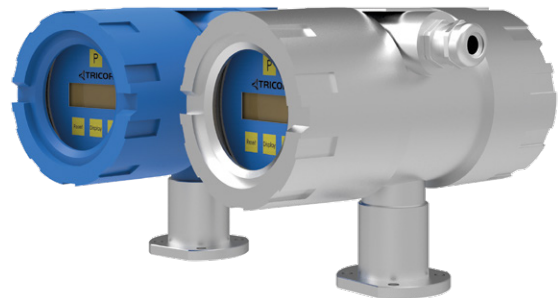
Input Type:	4 ... 20 mA active for two-wire passive pressure sensor
-------------	--

## TEMPERATURE

Ambient Temperature (AC):	-40 °C ... +50 °C [-40 °F ... +122 °F]
Ambient Temperature (DC):	-40 °C ... +70 °C [-40 °F ... +158 °F]
Storage and Transport:	-40 °C ... +80 °C [-40 °F ... +176 °F]

## CONNECTIVITY

Electrical Connections:	cage clamp terminals
-------------------------	----------------------



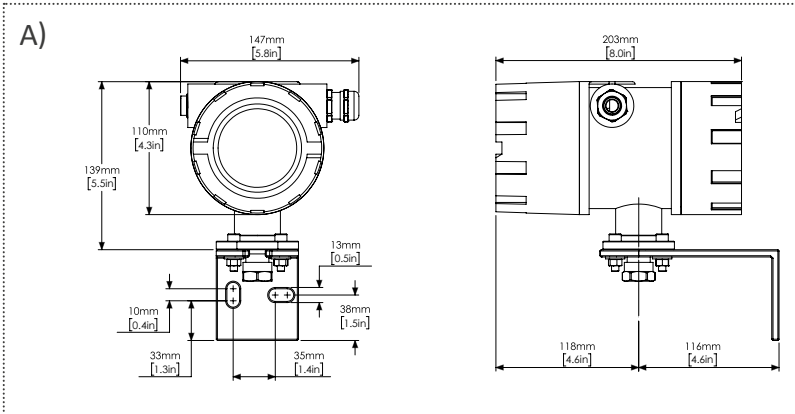
Compact Version



Remote Version (wall mount)



# CLASSIC Series | TCE 8000/8100 Coriolis Transmitter



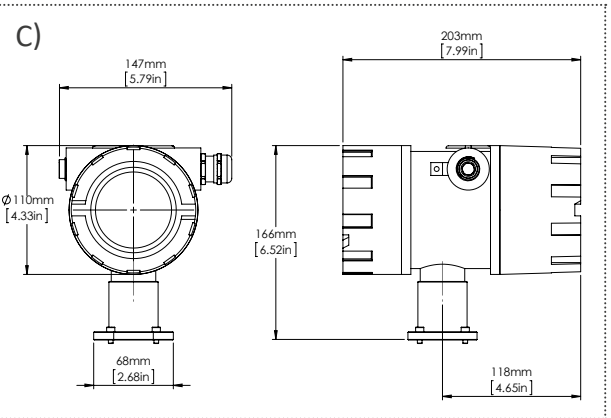
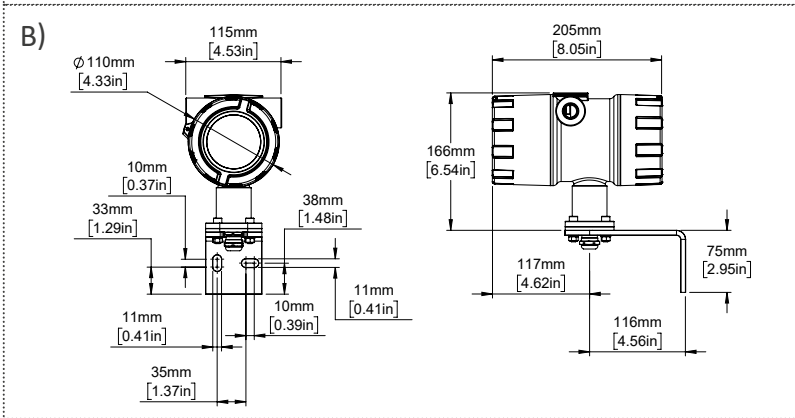
## METER DIMENSIONS AND WEIGHTS

A) Meter-Mount Electronics

B) Wall-Mount Electronics

Weight: aluminum diecast housing:  
3.8 kg [8.4 lb] with 3 m cable  
1.4404 [AISI 316L] housing:  
6.15 kg [13.56 lb]

C) Meter-Mount Electronics with blind cover



## APPROVALS & CERTIFICATIONS

Hazardous area

**TCM 0325, 0650, 1550, 3100, 5500 and 7900**

**TCM 028K, 065K and 230K**

	TCM 0325, 0650, 1550, 3100, 5500 and 7900	TCM 028K, 065K and 230K
<b>ATEX Zone 1</b>	Compact version: II 2G Ex db ia IIC T4 Gb Remote version <sup>2)</sup> : II 2(1)G Ex db [ia Ga] IIC T4 Gb	Compact version: II 2G Ex db ia IIB T4 Gb Remote version <sup>2)</sup> : II 2(1)G Ex db [ia Ga] IIB T4 Gb
<b>ATEX Zone 2</b>	All versions: II 3G Ex nA IIC T4	All versions: II 3G Ex nA IIC T4
<b>IECEX</b>	Compact version: Ex db ia IIC T4 Gb Remote version <sup>2)</sup> : Ex db [ia Ga] IIC T4 Gb	Compact version: Ex db ia IIB T4 Gb Remote version <sup>2)</sup> : Ex db [ia Ga] IIB T4 Gb
<b>cCSAus<sup>1)</sup></b>	Compact version: Kl. 1, Div. 1, Gruppe A-D: T4 (US, Can) Ex db ia IIC T4 Gb (Can) Remote version <sup>2)</sup> : Kl. 1, Div. 1, Gruppe A-D: T4 (US, Can) Ex db [ia Ga] IIC T4 Gb (Can)	Compact version: Kl. 1, Div. 1, Gruppe C, D: T4 (US, Can) Ex db ia IIB T4 Gb (Can) Remote version <sup>2)</sup> : Kl. 1, Div. 1, Gruppe C, D: T4 (US, Can) Ex db [ia Ga] IIB T4 Gb (Can)
<b>EAC (TR-CU)</b>	All versions: 1Ex d [ia] IIC T4	All versions: 1Ex d [ia] IIB T4
<b>KGS (Korean)</b>	All versions: Ex d [ia] IIC T4	All versions: Ex d [ia] IIB T4

EMC

EN 61000-6-4

EN 61000-6-2

<sup>1)</sup> For cCSAus the electronic is only available in aluminum housing.

<sup>2)</sup> Only for remote electronics.

[www.tricorflow.com](http://www.tricorflow.com)



**NORTH & SOUTH AMERICA**  
AW-Lake Company  
2440 W. Corporate Preserve Dr. #600  
Oak Creek WI 53154 | USA  
+1 414 574 4300

**ASIA PACIFIC & MIDDLE EAST**  
KEM Küppers Elektromechanik GmbH  
73 Science Park Drive  
#01-08/09 Cintech 1  
Singapore 118254  
+65 6797 8577

**CHINA**  
KEM flow technology (Beijing) Co., Ltd.  
Rm. 906, Block C, RuiPu Office Bldg, No. 15  
HongJunYingNan Road  
Chaoyang District, Beijing 100012 | China  
+86 10 84929567

**EUROPE (ROW)**  
KEM Küppers Elektromechanik GmbH  
Liebigstraße 5  
85757 Karlsfeld | Germany  
+49 8131 59391-100