



FEATURES

- Programmable control inputs
- Ready for ESTA applications
- For use with TRD 8001 remote display
- RS485 (Modbus RTU) and USB interface

BENEFITS

- ▶ Transmits flow rate, total, density or temperature
- ▶ Economy version
- ▶ Simple meter configuration
- ▶ Easy interfacing with TRICOR configuration tool

SPECIFICATIONS

Supply Voltage:	24 V DC
Power Consumption:	max. 4 W
Interfaces:	RS485, USB (option)
Housing Material:	Aluminum
Protection Class:	IP65
Programming:	via TRD 8001 or via interface

ANALOG OUTPUT

Current Output:	4 ... 20 mA active
Output Value (programmable):	flow, total mass, total volume, density, temperature

PULSE OUTPUT

Frequency Range:	0.5 - 10.000 Hz for ESTA (OPTV receiver): 0.5 - 5,000 Hz
Output Signal:	active push-pull output for flow rate optional: isolated optical pulse output

STATUS IN- AND OUTPUT

Status Output:	push pull programmable (option) in TOTAL mode: 0.5 - 100 Hz
Control Input (programmable):	Standard: 1 input/option: 2 inputs optional: insulated optical control input

TEMPERATURE

Ambient Temperature:	-40 °C ... +70 °C [-40 °F ... +158 °F]
Storage and Transport:	-40 °C ... +80 °C [-40 °F ... +176 °F]

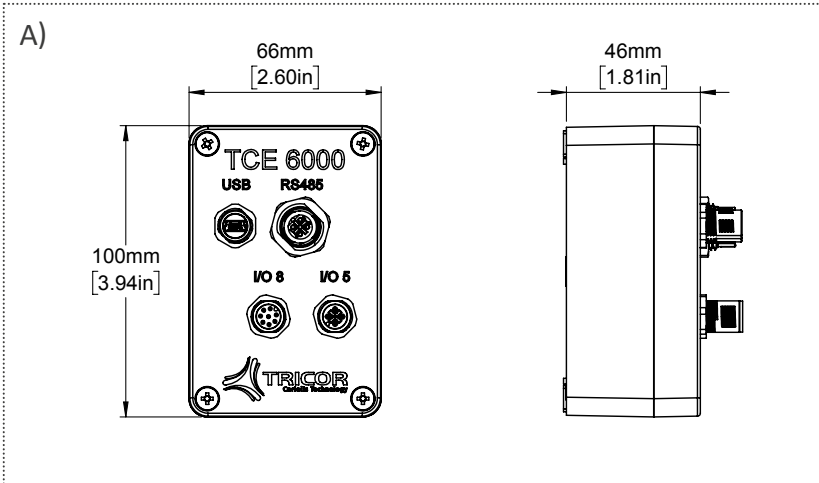
CONNECTIVITY

Electrical Connections:	connectors M12
-------------------------	----------------



Original KEM/AWL document:TCE_6000_CLASSIC_F_EN_180720_E007 | Copyright KEM/AWL, Subject to change without notice

Note: For parameterization of the flow meter, the interface may be used.
Prerequisite: Parameter setting is not allowed during active ESTA operation.



METER DIMENSIONS

A) Meter-Mount Electronics

APPROVALS & CERTIFICATIONS

Hazardous area

ATEX ¹⁾	Zone 2: II 3G Ex nA IIC T4
--------------------	-------------------------------

¹⁾ Only if powered by an SELV supply.

EMC

EN 61000-6-4

EN 61000-6-2

Original KEM/AWL document:TCE_6000_CLASSIC_F_EN_180720_E007 | Copyright KEM/AWL, Subject to change without notice

www.tricorflow.com



NORTH & SOUTH AMERICA
 AW-Lake Company
 2440 W. Corporate Preserve Dr. #600
 Oak Creek WI 53154 | USA
 +1 414 574 4300

ASIA PACIFIC & MIDDLE EAST
 KEM Küppers Elektromechanik GmbH
 73 Science Park Drive
 #01-08/09 Cintech 1
 Singapore 118254
 +65 6797 8577

CHINA
 KEM flow technology (Beijing) Co., Ltd.
 Rm. 906, Block C, Ruiipu Office Bldg, No. 15
 HongJunYingNan Road
 Chaoyang District, Beijing 100012 | China
 +86 10 84929567

EUROPE (ROW)
 KEM Küppers Elektromechanik GmbH
 Liebigstraße 5
 85757 Karlsfeld | Germany
 +49 8131 59391-100