



## FEATURES

- DSP technology with adjustable filtering
- Cycle time less than 10 ms
- Advanced diagnostics, data processing
- Excellent repeatability (better than  $\pm 0.05\%$ ), accuracy ( $\pm 0.1\%$ )

## BENEFITS

- ▶ Reliable measurement under challenging conditions
- ▶ Applicable for highly dynamic applications
- ▶ Optimize control and lifecycle management
- ▶ Increased product quality

## SPECIFICATIONS

Supply Voltage:	24 V DC
Power Consumption:	1.1 W
Interfaces:	Modbus RTU
Cable Gland:	½" NPT
	M20 (on request)
Cable:	Standard industrial signal cable up to 200 m long, 2x screened pairs or 4-wire overall
Housing Material:	Aluminum
Protection Class:	IP65, Option: IP67
	NEMA 4X to IEC 529 and DIN 40050 (1 mH <sub>2</sub> O for 30 min.)
Weight:	1.4 kg [3.1 lb]

## TEMPERATURE

Ambient Temp. Transmitter:	-40 °C ... +60 °C [-40 °F ... +140 °F] (humidity max. 95 %)
Storage and Transport:	-40 °C ... +70 °C [-40 °F ... +158 °F]

## APPROVALS & CERTIFICATIONS

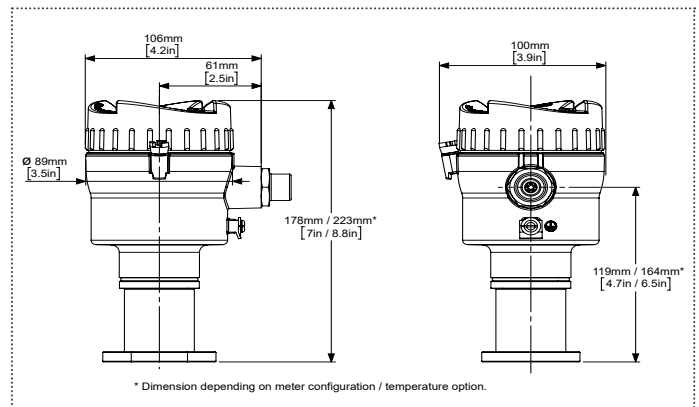
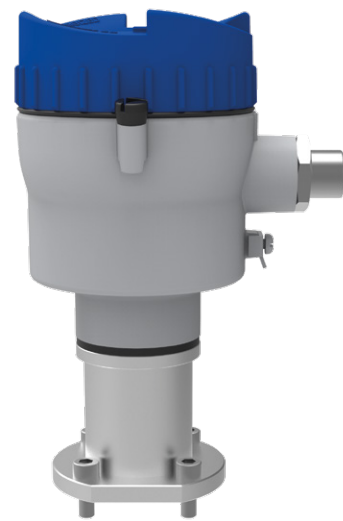
### Hazardous area (Ex)<sup>1)</sup>

ATEX	Zone 1: II (2)1 Ex db ia [ia Ga] IIC T* Gb <sup>2)</sup>
	Zone 2: 3G Ex nR nA IIC T4
IECEX	Ex db ia [ia Ga] IIC T* Gb <sup>2)</sup>
cCSAus	Class 1, Div. 1: Group A - D, T* <sup>2)</sup>

<sup>1)</sup> Version dependent.  
<sup>2)</sup> T\* refer to Ex-certificate.

### EMC

EN 55011/CISPR-11 (Class A)
EN/IEC 61236-1 (Industry)



[www.tricorflow.com](http://www.tricorflow.com)



**NORTH & SOUTH AMERICA**  
AW-Lake Company  
2440 W. Corporate Preserve Dr. #600  
Oak Creek WI 53154 | USA  
+1 414 574 4300

**ASIA PACIFIC & MIDDLE EAST**  
KEM Küppers Elektromechnik GmbH  
73 Science Park Drive  
#01-08/09 Cintech 1  
Singapore 118254  
+65 6797 8577

**CHINA**  
KEM flow technology (Beijing) Co., Ltd.  
Rm. 906, Block C, RuiPu Office Bldg, No. 15  
HongJunYingNan Road  
Chaoyang District, Beijing 100012 | China  
+86 10 84929567

**EUROPE (ROW)**  
KEM Küppers Elektromechnik GmbH  
Liebigstraße 5  
85757 Karlsfeld | Germany  
+49 8131 59391-100