



## FEATURES

- Robust, no moving parts for long life
- Custom flow connectors & installation lengths
- Excellent repeatability ( $\pm 0.05\%$  of flow rate)
- High Pressure rating: 345 bar [5,000 psi]

## BENEFITS

- ▶ Increased productivity, lower maintenance
- ▶ Lower Installation cost
- ▶ Increased product quality
- ▶ Broad applications: dosing, paint, chemical injection

## FLOW RATE

Mass Flow Rate (max.):	5,500 kg/h [202 lb/min]
Volumetric Flow Rate (max.):	5,500 l/h [24.22 gpm, 830 bbl/d (US)]
Nominal Meter Size:	DN15 [ $\frac{1}{2}$ "]

## PRESSURE RATING

345 bar [5,000 psi]

## ACCURACY (LIQUIDS)<sup>1)</sup>

Basic Accuracy (Mass Flow) <sup>2)</sup> :	$\pm 0.3\%$ (option: $\pm 0.1\%$ ) of flow rate
Repeatability (Mass Flow):	$\pm 0.05\%$ of flow rate
Basic Accuracy (Volume Flow) <sup>2)</sup> :	$\pm 0.4\%$ (option: $\pm 0.15\%$ ) of flow rate
Repeatability (Volume Flow):	$\pm 0.05\%$ of flow rate
Zero Stability:	$\pm 0.01\%$ of full scale

## ACCURACY (GASES)

Basic Accuracy (Mass Flow) <sup>2)</sup> :	$\pm 1\%$ (option: $\pm 0.5\%$ ) of flow rate
Repeatability (Mass Flow):	$\pm 0.25\%$ of flow rate

## DENSITY

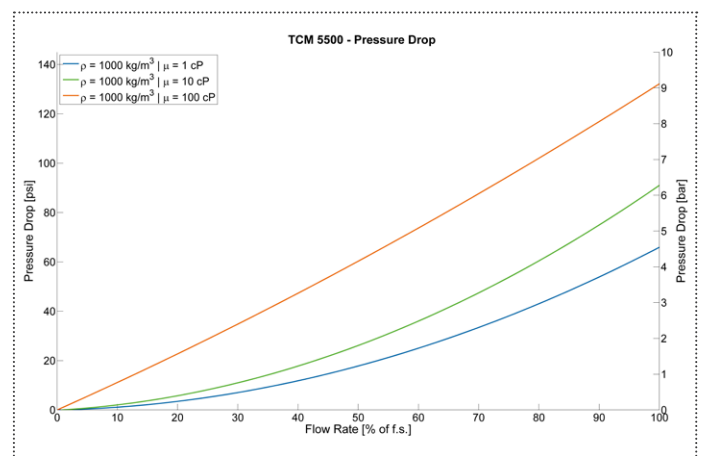
Density Range:	up to 2,500 kg/m <sup>3</sup> [2.5 g/cm <sup>3</sup> ]
Density Accuracy <sup>2)</sup> :	$\pm 5.0$ kg/m <sup>3</sup> (option: $\pm 1.0$ kg/m <sup>3</sup> ) [ $\pm 0.005$ g/cm <sup>3</sup> (option: $\pm 0.001$ g/cm <sup>3</sup> )]
Density Repeatability:	$\pm 0.5$ kg/m <sup>3</sup> [ $\pm 0.0005$ g/cm <sup>3</sup> ]

## TEMPERATURE

Process Temperature Range:	-40 °C ... +100 °C [-40 °F ... +212 °F] Option: -60 °C ... +200 °C [-76 °F ... +392 °F]
Temperature Accuracy:	$\pm 1$ °C $\pm 0.5\%$ of reading [ $\pm 1.8$ °F $\pm 0.5\%$ of reading]
Temperature Repeatability:	$\pm 0.2$ °C [ $\pm 0.36$ °F]

## MATERIALS (WETTED PARTS)

Tubes:	1.4404 [AISI 316L]
Case:	1.4404 [AISI 316L]
Flow Splitter:	1.4404 [AISI 316L]
Brazing Alloy:	BNi-2

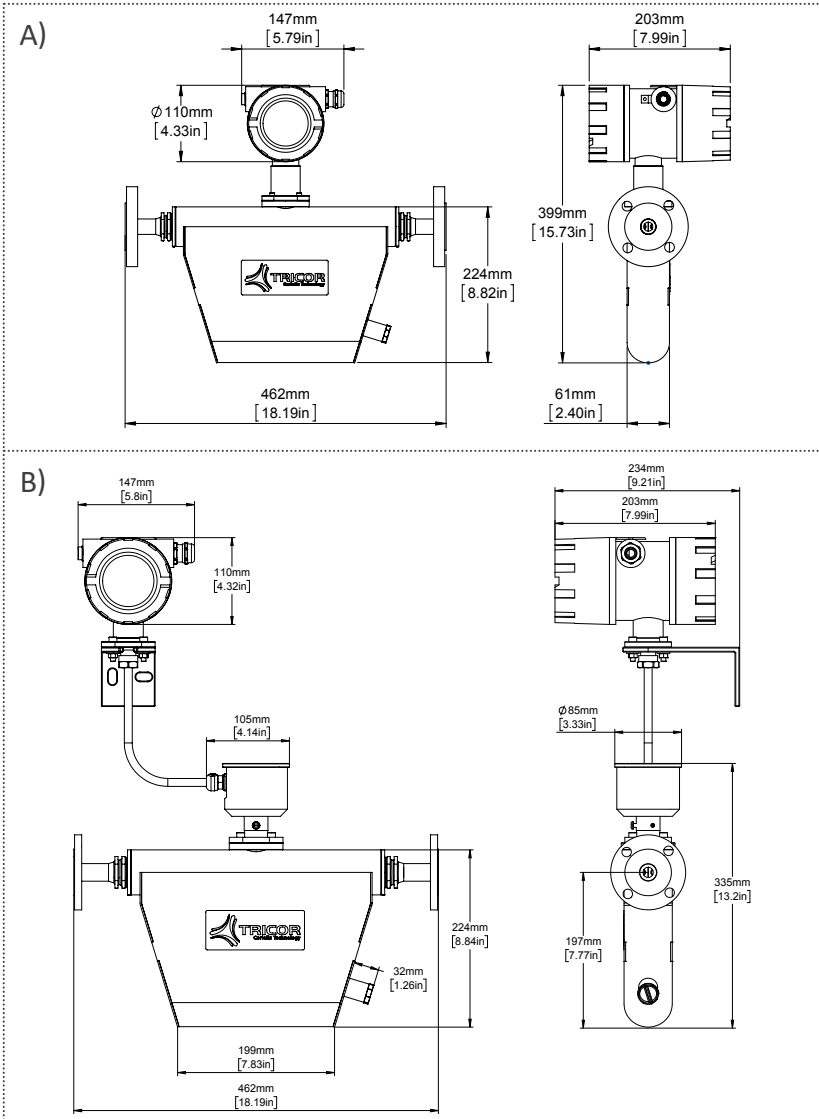


<sup>1)</sup> Stated flow accuracy combines the effects of repeatability, linearity and hysteresis.

<sup>2)</sup> Calibration certificate options for higher accuracy are available.



# CLASSIC Series | TCM 5500 Coriolis Mass Flow Meter



## METER DIMENSIONS<sup>3)</sup> AND WEIGHTS

### A) Compact Version

Weight: 8.5 kg [18.7 lb]

With meter mount in aluminum diecast housing

### B) Remote Version

Weight: 9.8 kg [21.6 lb]

With junction box and remote field mount

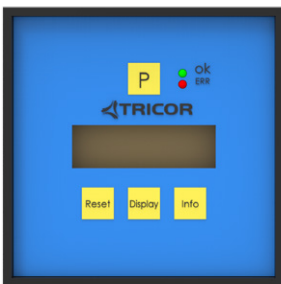
### Standard Process Connection

DN15 PN40 [½" ANSI CL 300] (others on request)

## EX-CERTIFICATIONS

ATEX (Ex)	Zone 1: Group IIC or IIB, T2...T4
ATEX (Exn)	Zone 2: II 3G Ex nA IIC T2...T4 Gc
IECEX (Ex)	Zone 1: Group IIC or IIB, T2...T4
cCSAus (Ex1) <sup>6)</sup>	Class 1, Division 1: Group A, B, C, D or C, D, T2...T4
ATEX + IECEX + cCSAus triple approval (Ex3) <sup>6) 7)</sup>	Zone 1: Group IIC or IIB, T2...T4 Class 1, Division 1: Group A, B, C, D or C, D, T2...T4
EAC (TR-CU) <sup>6)</sup>	Group IIC or IIB, T2 ... T4

## PANEL MOUNT<sup>4)</sup>



## REMOTE MOUNT<sup>5)</sup>



## ELECTRONICS

Power Supply:

24 V DC ±20 % or 90 ... 264 V AC

Outputs:

Analog, Frequency, Pulse, Status

Interfaces:

RS485 RTU (Modbus), HART®

Cable Gland:

M20 | ½" NPT

<sup>3)</sup> Drawing of the Meter Dimensions reflects one standard connection, other connections on request (Installation length can vary depending on selected connection).

<sup>4)</sup> Weight: 0.4 kg [0.88 lb].

<sup>5)</sup> Weight with aluminum diecast housing: 3.8 kg [8.4 lb] with 3 m cable, Weight with 1.4404 [AISI 316L] housing: 6.15 kg [13.56 lb].

<sup>6)</sup> For Ex1, Ex3, EAC (TR-CU) the electronic is only available in aluminum housing.

<sup>7)</sup> Only with remote electronics.

[www.tricorflow.com](http://www.tricorflow.com)



### N & S AMERICA

AW-Lake Company  
2440 W. Corporate Preserve Dr. #600  
Oak Creek WI 53154 | USA  
+1 414 574 4300

### ASIA PACIFIC & MIDDLE EAST

KEM Instruments SEA Pte. Ltd.  
UEN: 201717792Z  
1003 Bukit Merah Central #06-32  
Singapore 159836  
+65 6274 1130

### CHINA

KEM flow technology (Beijing) Co., Ltd.  
Rm. 906, Block C, RuiPu Office Bldg, No. 15  
HongJunYingNan Road  
Chaoyang District, Beijing 100012 | China  
+86 10 84929567

### REST OF WORLD

KEM Küppers Elektromechanik GmbH  
Liebigstraße 5  
85757 Karlsfeld | Germany  
+49 8131 59391-100