



ADVANTAGES

- Programmable control inputs
- Ready for ESTA applications
- For use with TRD 8001 Remote Display
- RS485 (Modbus RTU) and USB interface

BENEFITS

- Transmits flow rate, total, density or temperature
- Economy version
- Simple meter configuration
- Easy interfacing with TRICOR Configuration tool

SPECIFICATIONS

| | |
|-------------------------|---|
| Supply Voltage: | 24 V DC, ±20% |
| Programming: | via TRD 8001 or via interface |
| Interface: | RS485, USB (option) |
| EMC: | according to EN 61000-6-4 and according to EN 61000-6-2 |
| Power Consumption: | max. 4 W |
| Electrical Connections: | connectors M12 |
| Housing Material: | aluminum diecast |
| Protection Class: | IP65 |

TEMPERATURE

| | |
|------------------------|--|
| Ambient: | -40 °C ... +70 °C -40 °F ... +158 °F |
| Storage and Transport: | -40 °C ... +80 °C -40 °F ... +176 °F |

ANALOG OUTPUT

| | |
|------------------------------|--------------------------------------|
| Current Output: | 4 ... 20 mA active |
| Resolution: | 14 bit |
| Linearity: | ±0.05 % |
| Temperature Drift: | 0.05 % per 10 K |
| Load: | < 800 Ω |
| Output Value (programmable): | flow total density temperature |

PULSE OUTPUT

| | |
|------------------|---|
| Frequency Range: | 0.5 - 10,000 Hz for ESTA (OPTV receiver): 0.5 - 5,000 Hz |
| Output Signal: | active push-pull output for flow rate optional: isolated optical pulse output |

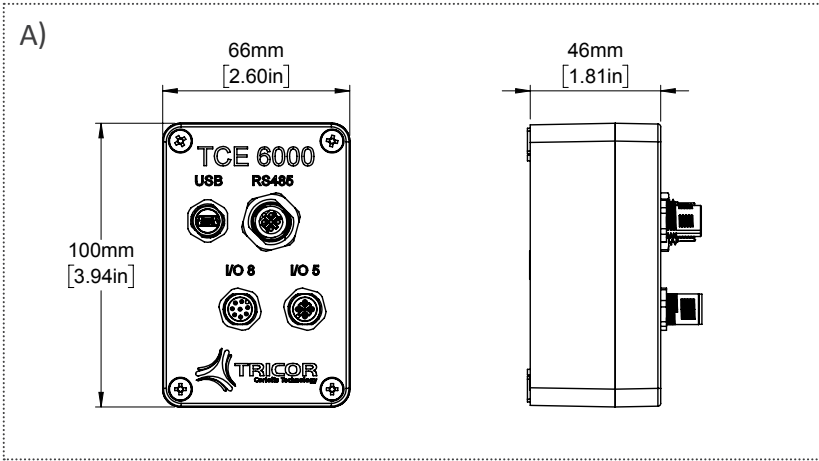
STATUS IN- AND OUTPUT

| | |
|-------------------------------|---|
| Status Output: | push pull programmable (option) in TOTAL mode: 0.5 - 100 Hz |
| Control Input (programmable): | standard: 1 input/option: 2 inputs optional: insulated optical control input |



Original KEM/AWL document: TCE_6000_CLASSIC_F_EN_180523_E001 | Copyright KEM/AWL, Subject to change without notice

*Note: For parameterization of the flow meter, the interface may be used.
Prerequisite: Parameter setting is not allowed during active ESTA operation.*



METER DIMENSIONS

A) Meter-Mount Electronics

EX CERTIFICATIONS

ATEX (Exn)¹⁾

Zone 2:

II 3G Ex nA IIC T2...T4 Gc

¹⁾ Only if powered by an SELV supply.