

TCE 8000/8100 Compact/Remote Coriolis Transmitter

Features:

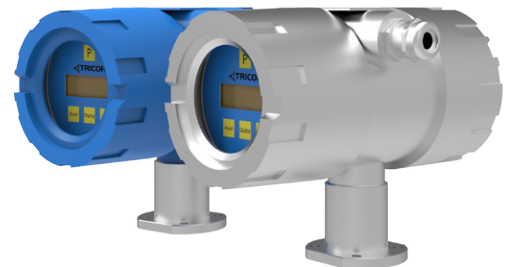
- > LCD display
- > Programmable control inputs
- > Analog, pulse and status outputs

Benefits:

- > Transmits flow rate, total, density or temperature
- > Approvals for use in Hazardous Areas

Specifications:

Display:	back-lit LCD screen, 132 x 32 dot
Supply Voltage:	24 V DC, $\pm 20\%$ or 90 ... 264 V (version dependent)
Programming:	via front keyboard or Windows-based TRICOR configurator program (Modbus)
Interface:	RS485 (Modbus RTU), HART®, Foundation Fieldbus®, other options on request
EMC:	according to EN 61000-6-4 and 61000-6-2
Power Consumption:	max. 6 W
Electrical Connections:	cage clamp terminals
Housing Material:	aluminum diecast (option: 1.4404/AISI 316L)
Protection Class:	IP65 (IP66/IP67 on request)
Weight:	aluminum diecast housing: 3.8 kg/8.3 lb (3 m cable) 1.4404/AISI 316L housing: 6.15 kg/13.56 lb



Compact Version

Temperature:

Ambient:	-40 °F ... +158 °F (-40 °C ... +70 °C)
Storage and Transport:	-40 °F ... +176 °F (-40 °C ... +80 °C)

Analog Output:

Current Outputs (2x):	4 ... 20 mA passive, two-wire, isolated
Resolution:	14 bit
Linearity:	$\pm 0.05\%$ of full scale
Temperature Drift:	0.05 % per 10 K
Load:	< 620 Ω (at 24 V supply)
Output Value (programmable):	flow, total, density, temperature

Pulse Output:

Frequency Range:	0.5 - 10,000 Hz
Output Signal:	active push-pull output for flow rate

Status In- and Output:

Status output:	push pull programmable (in TOTAL mode: 0.5 - 100 Hz; in FREQUENCY mode: 0.5 - 10,000 Hz)
Control Input:	programmable

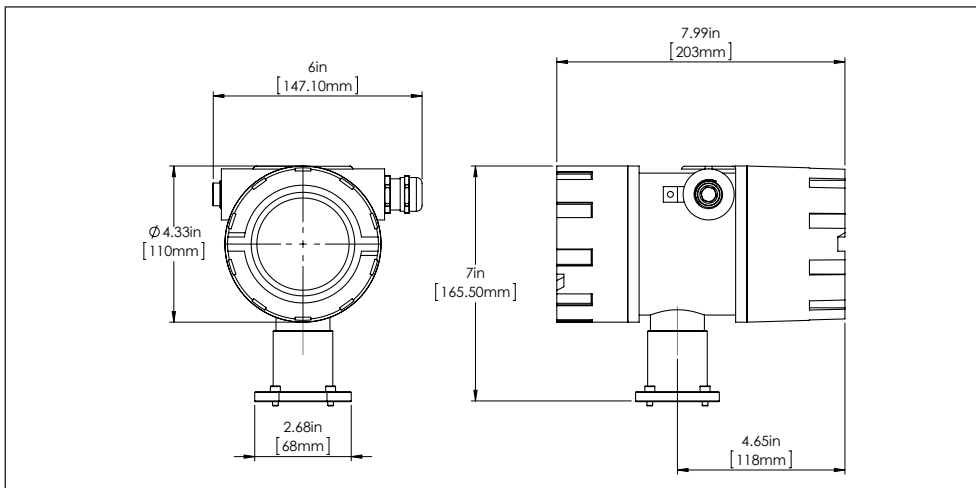
Analog Input (option):

Input Type:	4 .. 20 mA active for two-wire passive pressure sensor
Resolution:	12 bit
Linearity:	$\pm 0.05\%$ of full scale
Temperature Drift:	0.05 % per 10 K
Supply Voltage:	> 20 V (at 20 mA sensor current)

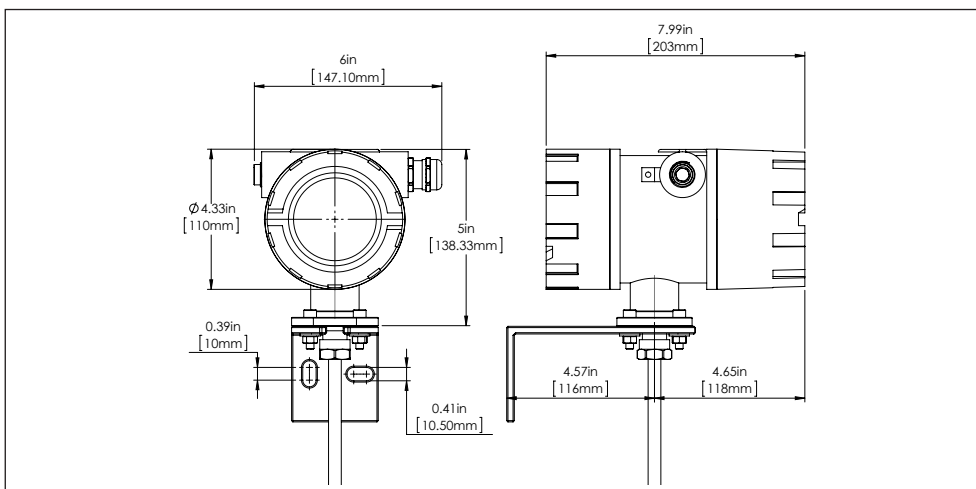


Remote Version (wall mount)

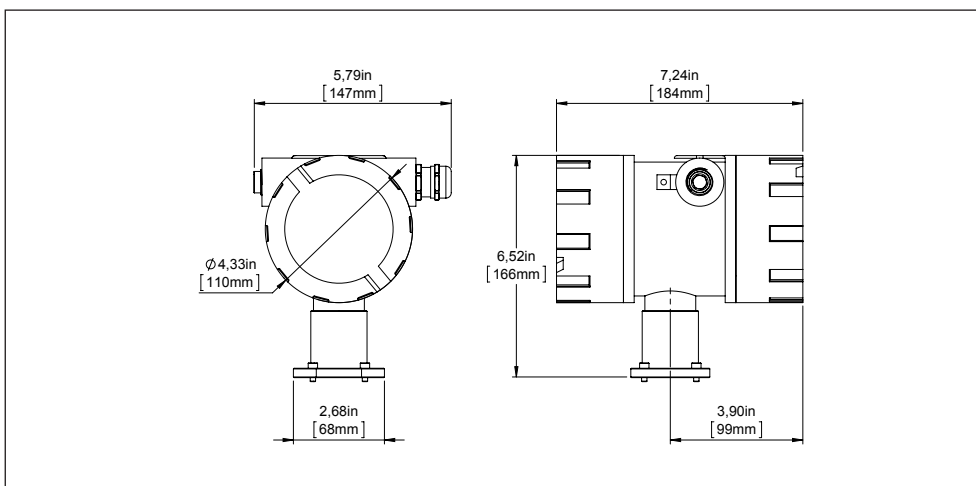
Meter Dimensions:



Meter-Mount Electronics



Wall-Mount Electronics



Meter-Mount Electronics with blind cover



www.tricorflow.com

N & S AMERICA:

AW-Lake Company
2440 W. Corporate Preserve Dr. #600, Oak Creek WI 53154, USA, Tel.: +1 414 574 4300

SINGAPORE:

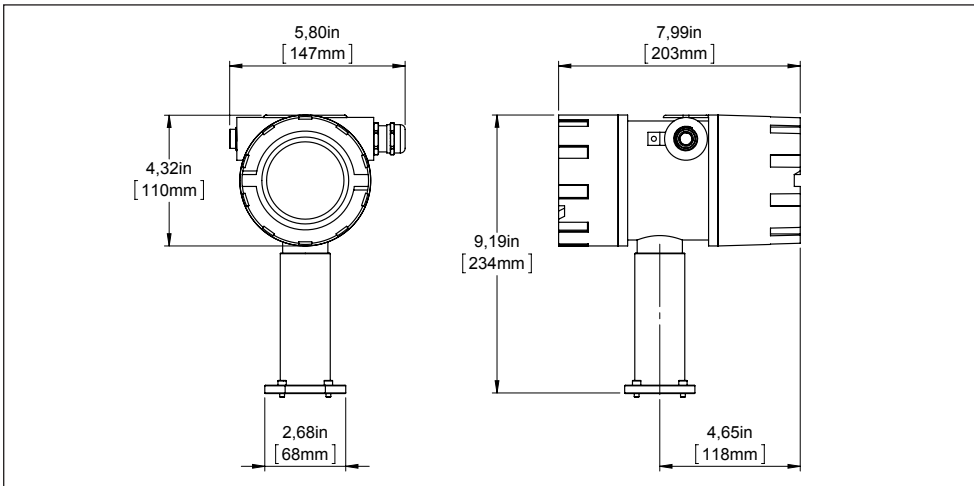
TASI Flow Souteast Asia, Representative Office (RO) Singapore
1003 Bukit Merah Central #06-32, Singapore 159836, UEN: T15RF0080G, P: +65 6274 1130

CHINA:

TASI Flow China
Rm. 2429, JinYuan Office Building, No. 36, CN- BeiYuan Road, Beijing 100012, P.R. CHINA, Tel.:+86 10 520 037 38

Rest of the World:

KEM Küppers Elektromechanik GmbH, Liebigstraße 5, 85757 Karlsfeld, Germany, Tel.:+49 8131 59391-0



Meter-Mount Electronics High Temperature

Ex Certifications:

ATEX (Ex)	Zone 1: Group IIC or IIB, T2...T4
ATEX (Exn)	Zone 2: II 3G Ex nA IIC T2...T4 Gc
IECEX (Ex)	Zone 1: Group IIC or IIB, T2...T4
cCSAus (Ex1) ¹⁾	Class 1, Division 1: Group A, B, C, D or C, D, T2...T4
ATEX + IECEX + cCSAus triple approval (Ex3) ^{1) 2)}	Zone 1: Group IIC or IIB, T2...T4 and Class 1, Division 1: Group A, B, C, D or C, D, T2...T4
EAC (TR-CU) ¹⁾	Group IIC or IIB, T2 ... T4

¹⁾ Ex1, Ex3, EAC (TR-CU) only for aluminum housing.

²⁾ Only for remote electronics.